



上海紫书实业有限公司
SHANGHAI ZISHU INDUSTRIAL CO.,LTD



cargo track series



上海紫书实业有限公司
SHANGHAI ZISHU INDUSTRIAL CO.,LTD

CONTENTS

1

Track

2

Aluminum Track

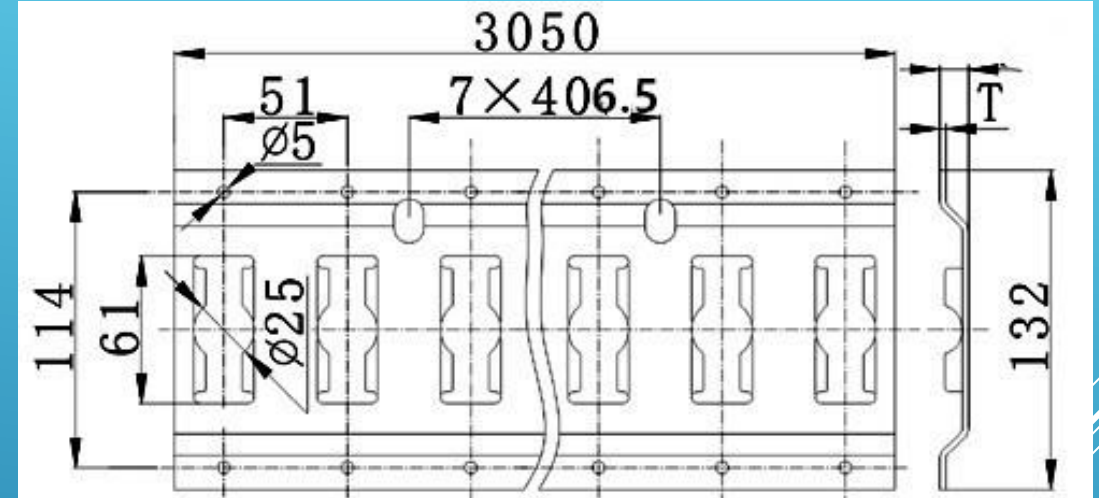
3

Internal track fitting

4

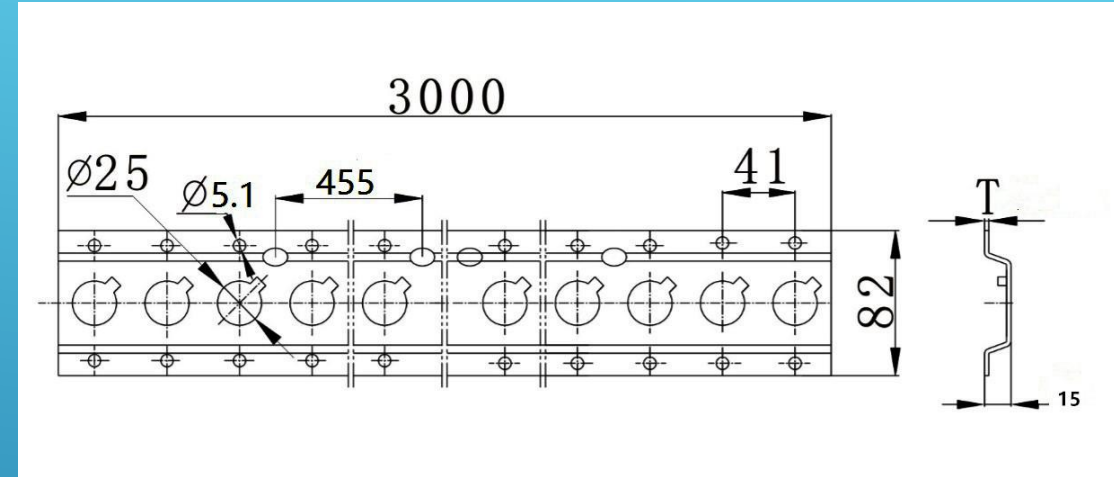
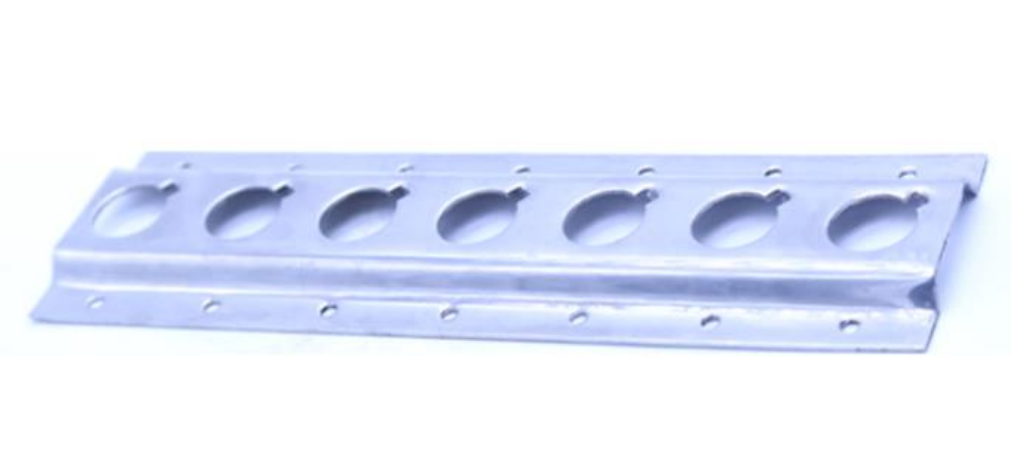
Other track Series

Track Horizontal



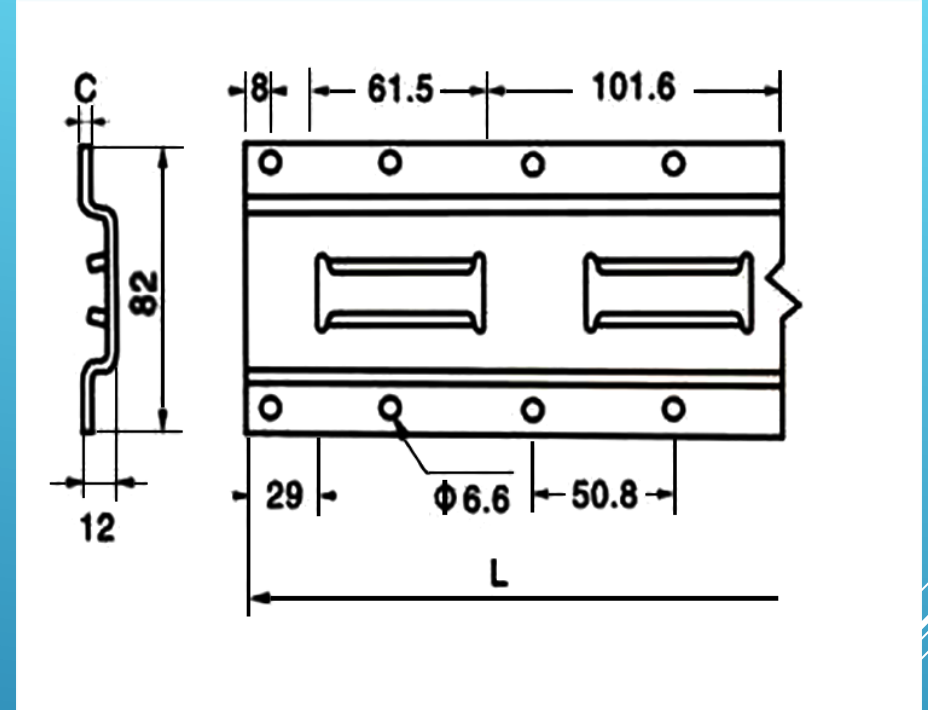
Part NO.	ZSCT01/ZSCT01S/ZSCT01A
T(mm)	2/2.5/3
Material	Steel/SUS304
Surface treatment	Zinc Plated/Polished/Oxide
Length (mm)	3050

O-TRAK



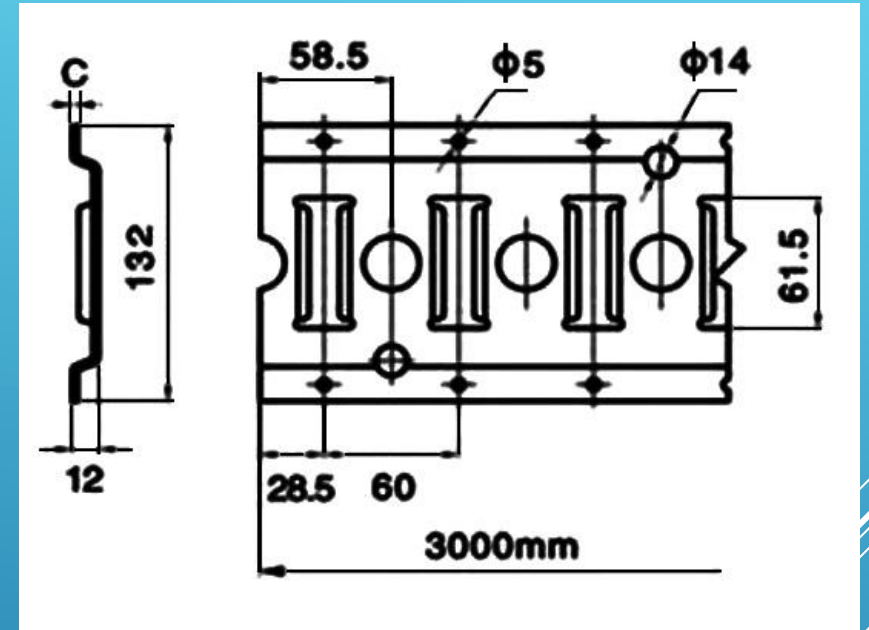
Part NO.	ZSCT02/ZSCT02S/ZSCT02A
T(mm)	2/2.5/3
Material	Steel/SUS304/ALU.
Surface treatment	Zinc Plated/Polished/Oxide
Length (mm)	3000

E-TRACK VERTICAL



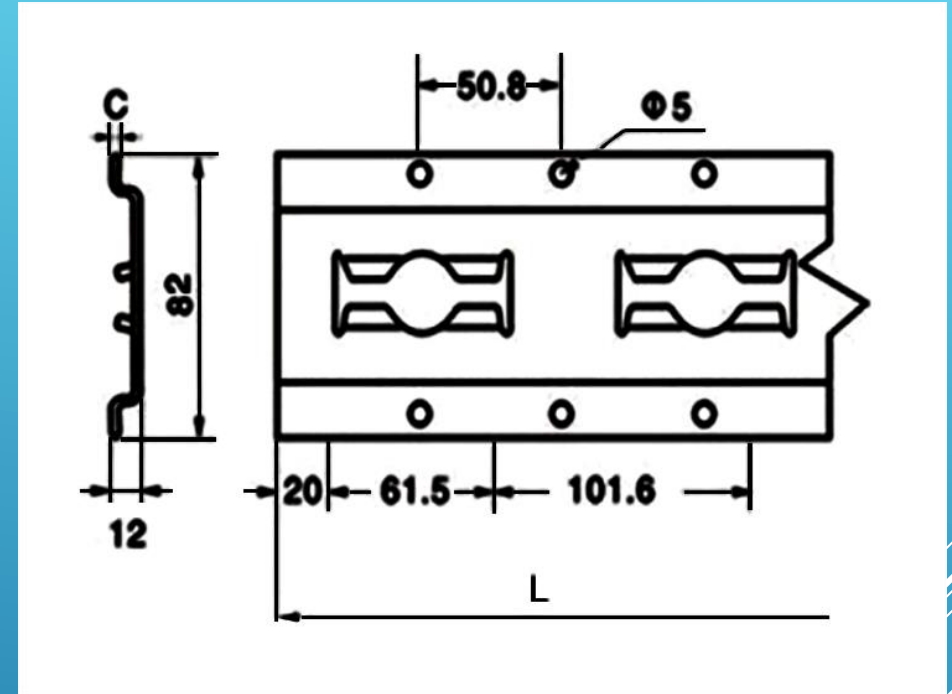
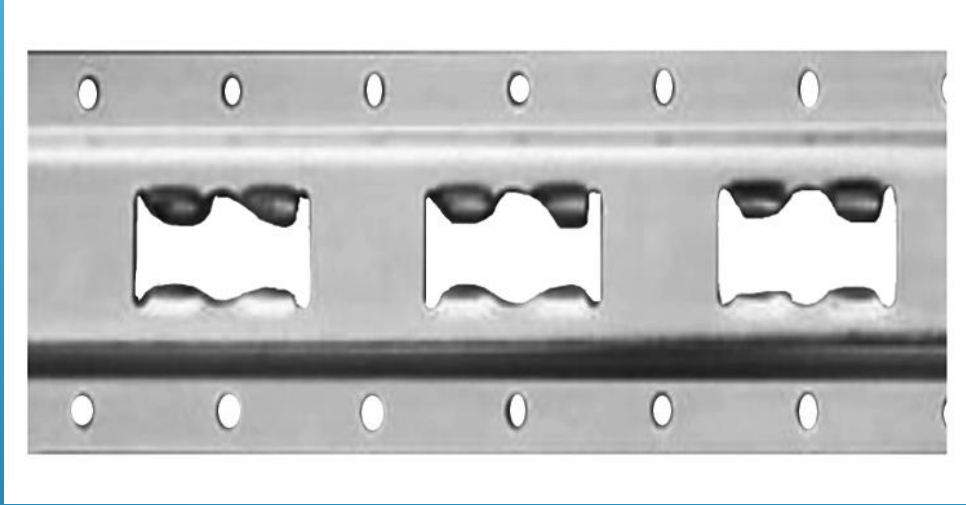
Part NO.	ZSCT03/ZSCT03S/ZSCT03A
T(mm)	2/2.5/3
Material	Steel/SUS304/ALU.
Surface treatment	Zinc Plated/Polished/Oxide
Length (mm)	3000

E-TRACK



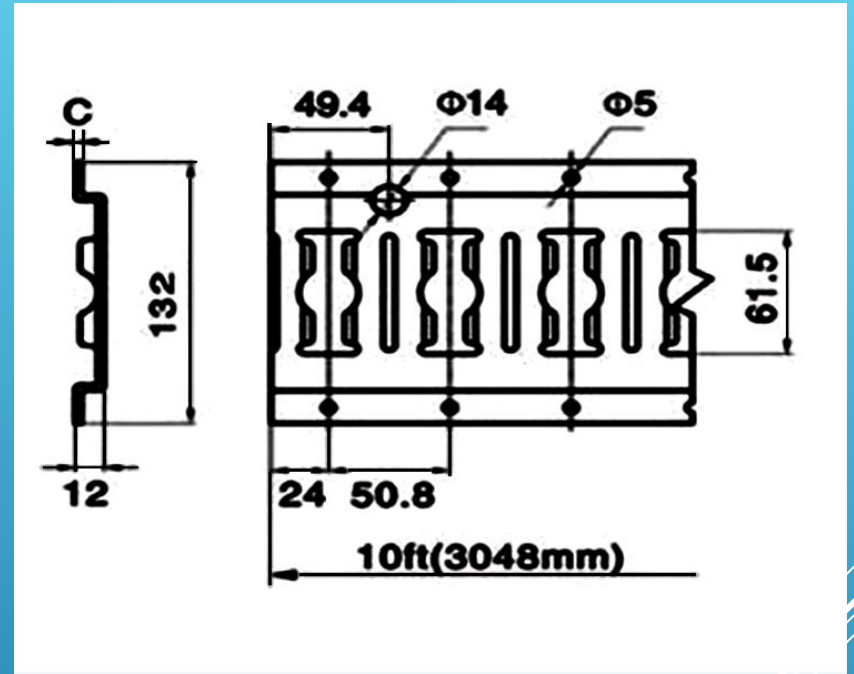
Part NO.	ZSCT04/ZSCT04S/ZSCT04A
T(mm)	2/2.5/3
Material	Steel/SUS304/ALU.
Surface treatment	Zinc Plated/Polished/Oxide
Length (mm)	3000

TRACK VERTICAL



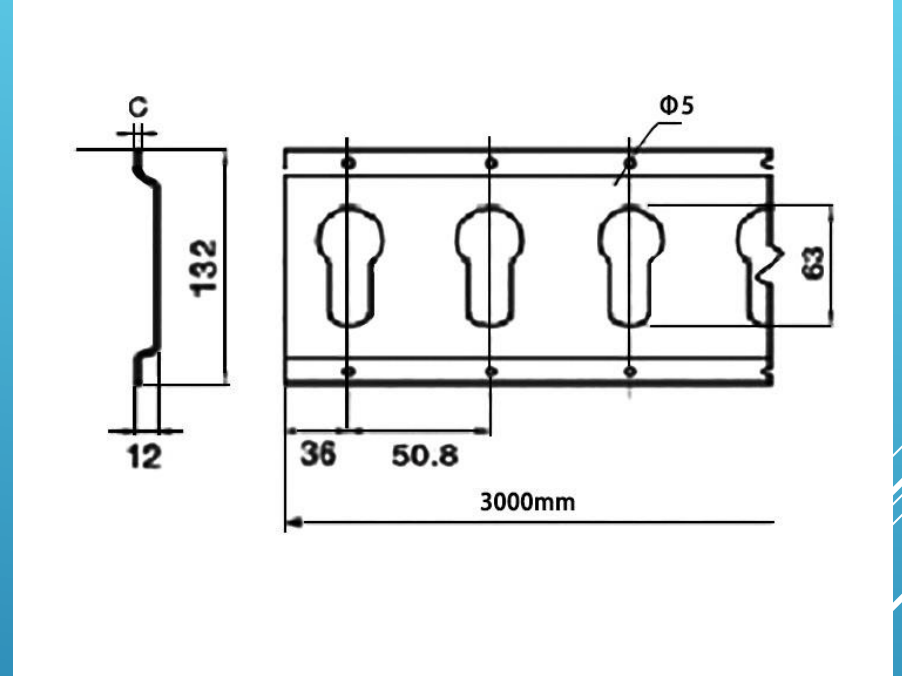
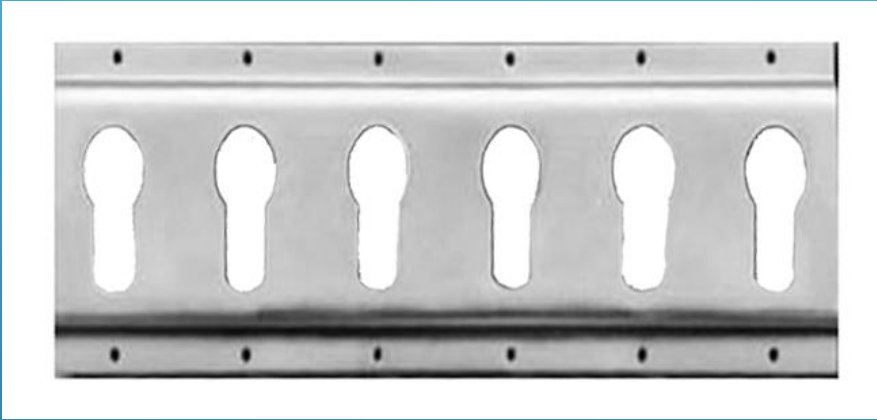
Part NO.	ZSCT05/ZSCT05S/ZSCT05A
T(mm)	2/2.5/3
Material	Steel/SUS304/ALU.
Surface treatment	Zinc Plated/Polished/Oxide
Length (mm)	3000

TRACK VERTICAL



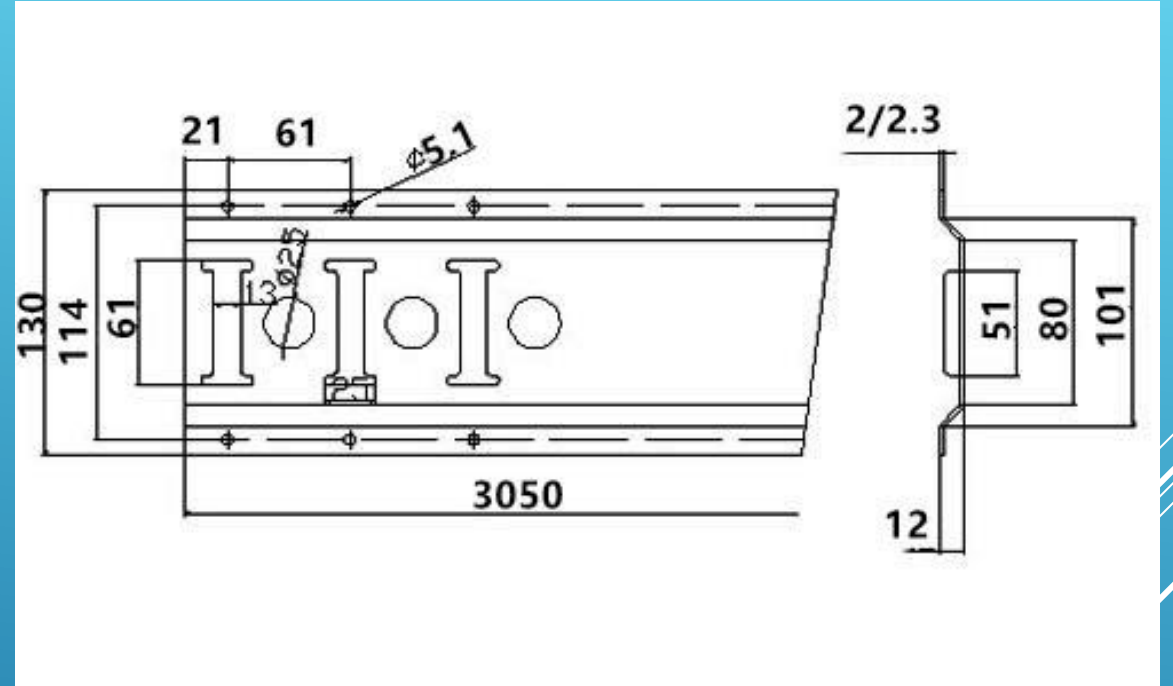
Part NO.	ZSCT06/ZSCT06S/ZSCT06A
T(mm)	2/2.5/3
Material	Steel/SUS304/ALU.
Surface treatment	Zinc Plated/Polished/Oxide
Length (mm)	3048

KEYHOLE TRACK



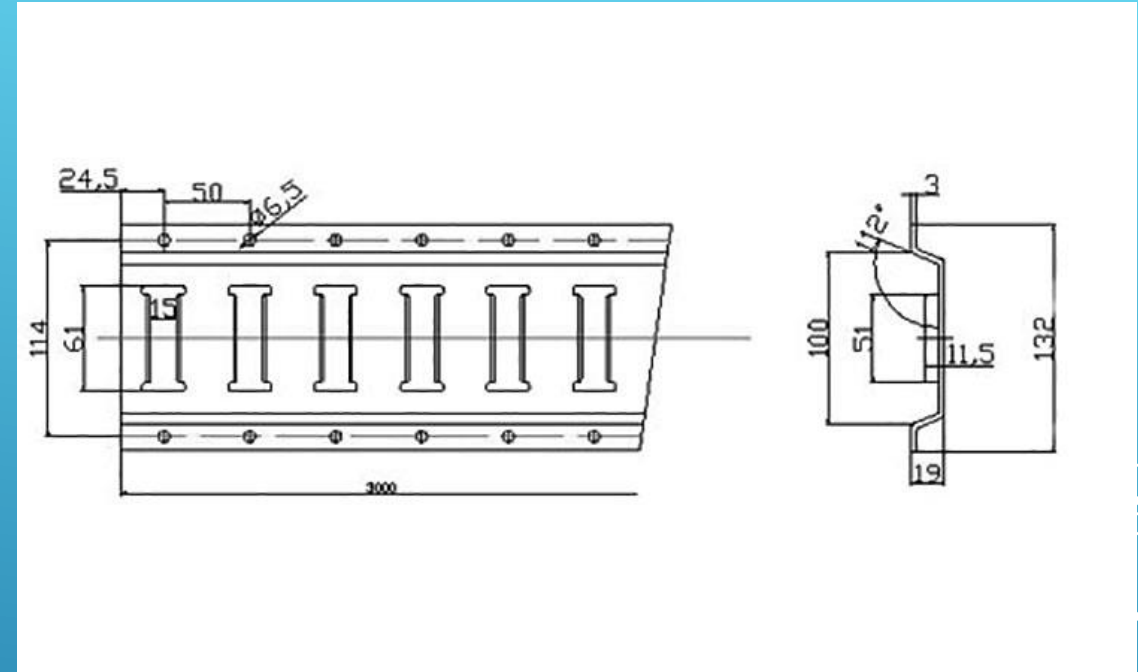
Part NO.	ZSCT07/ZSCT07S/ZSCT07A
T(mm)	2/2.5/3
Material	Steel/SUS304/ALU.
Surface treatment	Zinc Plated/Polished/Oxide
Length (mm)	3000

EO- TRACK



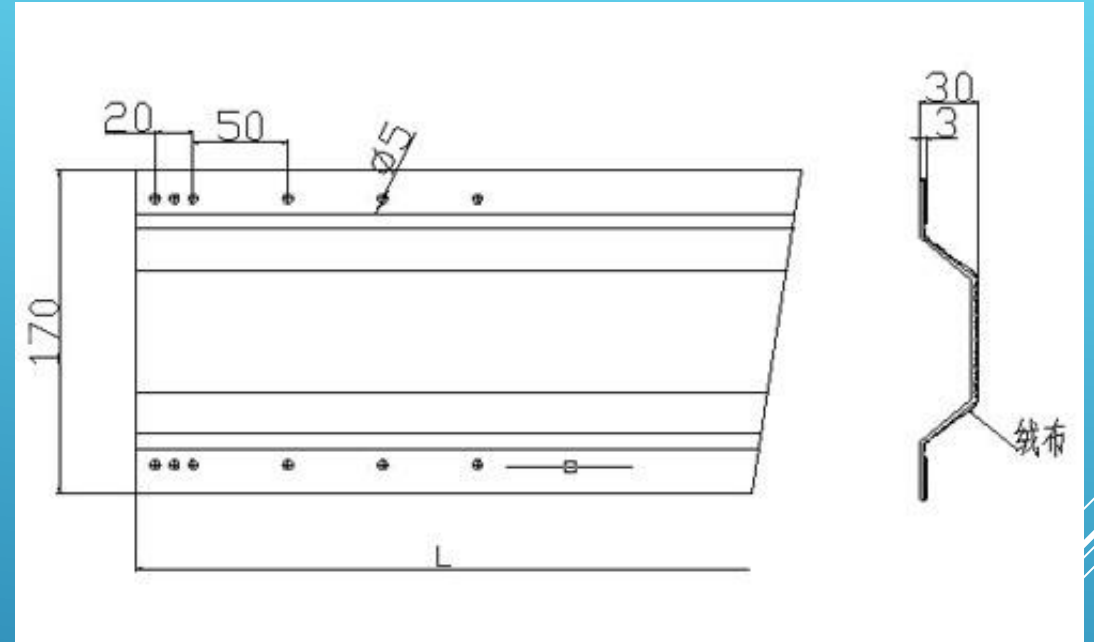
Part NO.	ZSCT08
T(mm)	2/2.3
Material	Steel
Surface treatment	Zinc Plated
Length (mm)	3050

E-TRACK



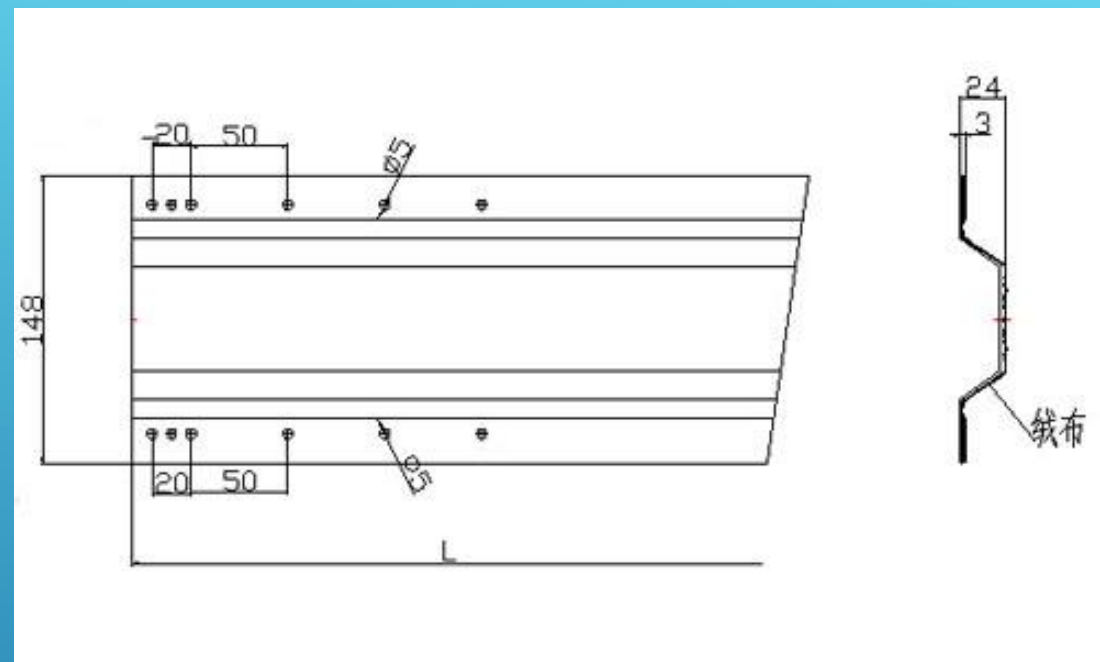
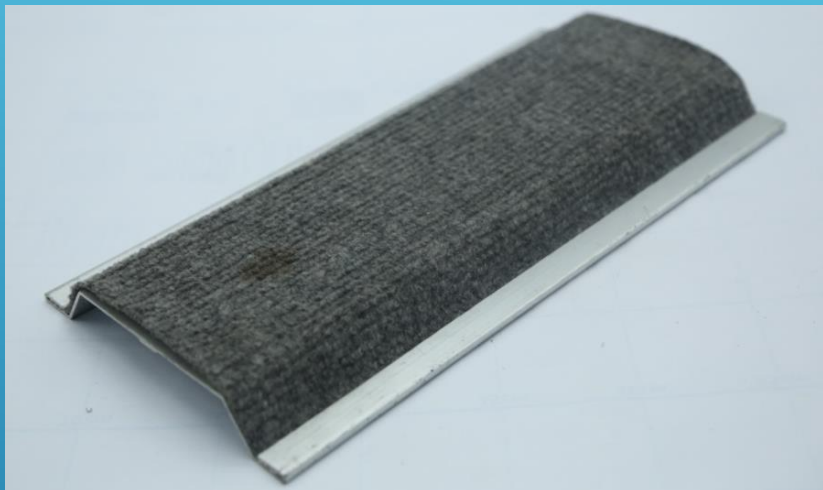
Part NO.	ZSCT09/ZSCT09S
T(mm)	3
Material	Steel/SUS304
Surface treatment	Zinc Plated/Polished
Length (mm)	3000
Weight(kg/m)	8.8/8.25

TRACK



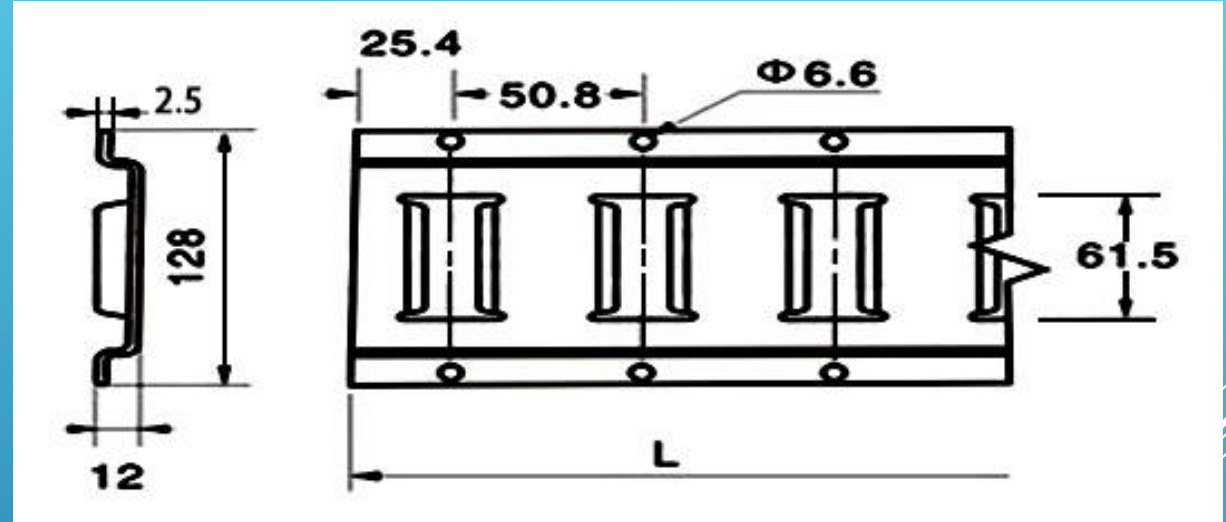
Part NO.	ZSCT10
T(mm)	3
Material	Steel
Surface treatment	Zinc Plated
Length (mm)	3000
Weight(kg/m)	1.58

TRACK



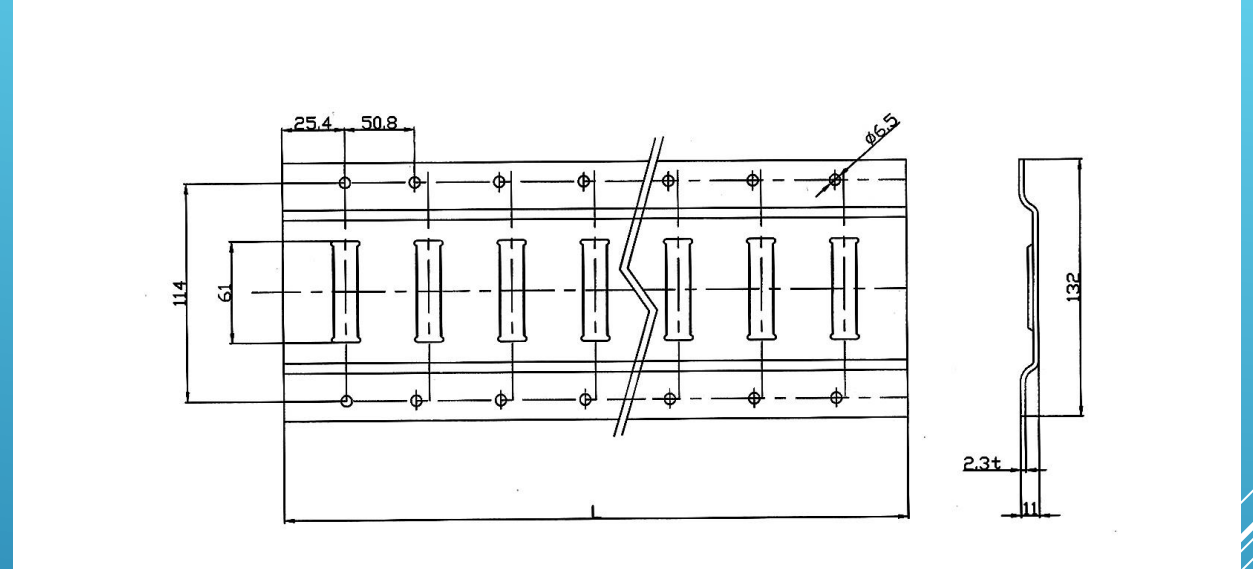
Part NO.	ZSCT11
T(mm)	3
Material	ALU
Surface treatment	Oxide
Length (mm)	3000
Weight(kg/m)	1.18

E-TRACK HORIZONTAL



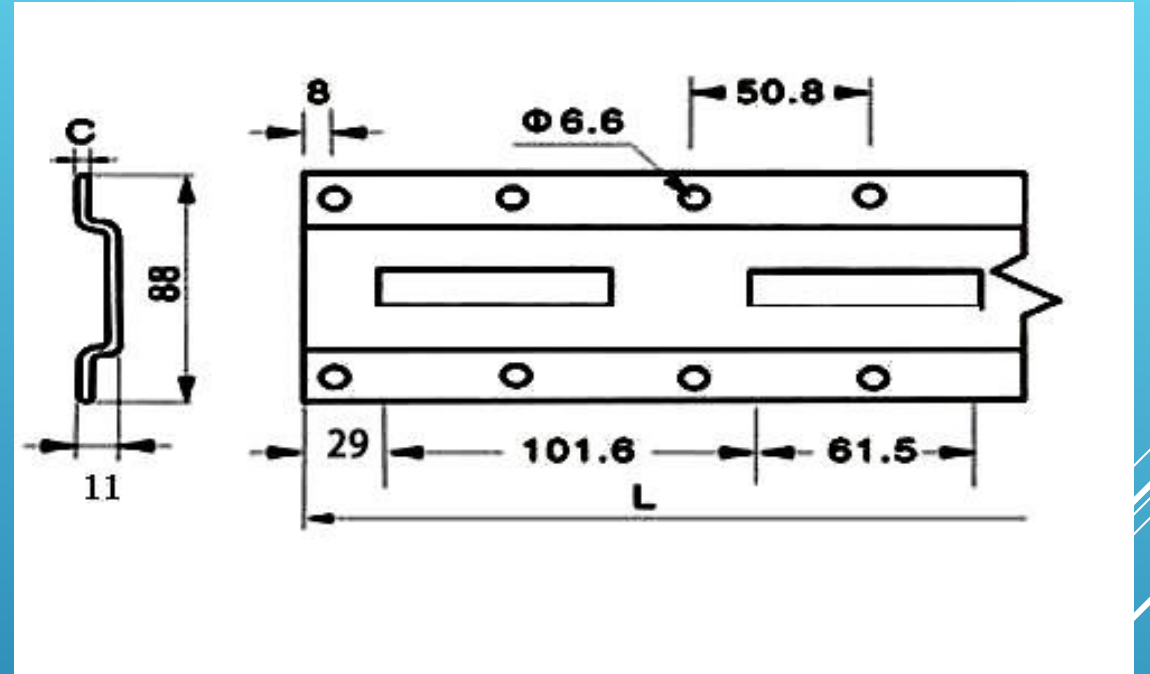
Part NO.	ZSCT12/ZSCT12P
T(mm)	2.5
Material	Steel
Surface treatment	Zinc Plated/Powder coated
Length (mm)	3000
Weight(kg/m)	7

E-TRACK HORIZONTAL



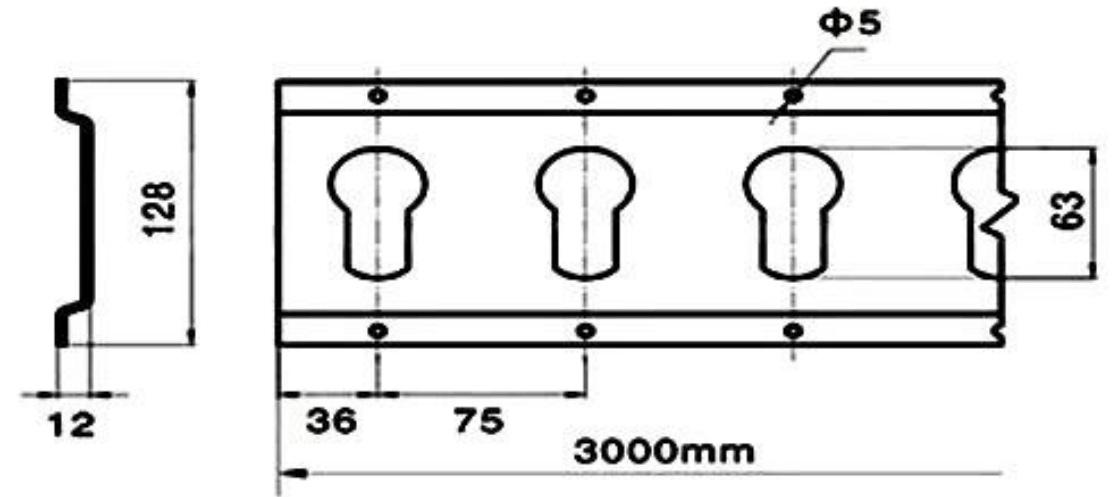
Part NO.	ZSCT13/ZSCT13P
T(mm)	2.3
Material	Steel
Surface treatment	Zinc Plated/Powder coated
Length (mm)	3000
Weight(kg/m)	6.5

E-TRACK HORIZONTAL



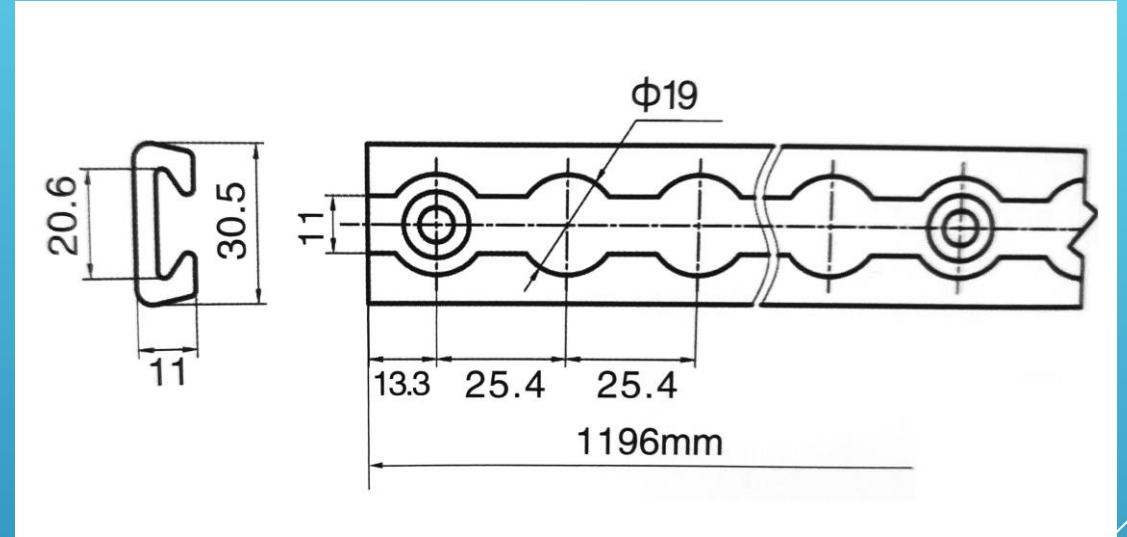
Part NO.	ZSCT14
T(mm)	2.5
Material	Steel
Surface treatment	Zinc Plated
Length (mm)	3000
Weight(kg/m)	5

KEYHOLE TRACK



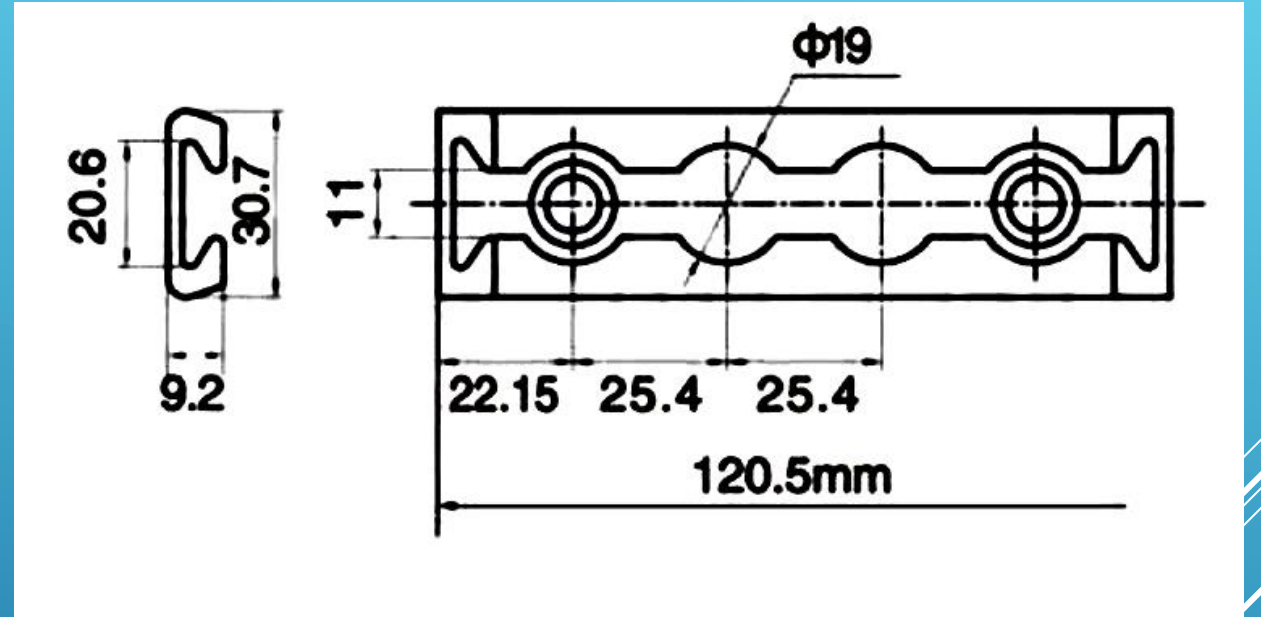
Part NO.	ZSCT15/ZSCT15P
T(mm)	2.5
Material	Steel
Surface treatment	Zinc Plated/Powder coated
Length (mm)	3000
Weight(kg/m)	5

ALUMINUM TRACK



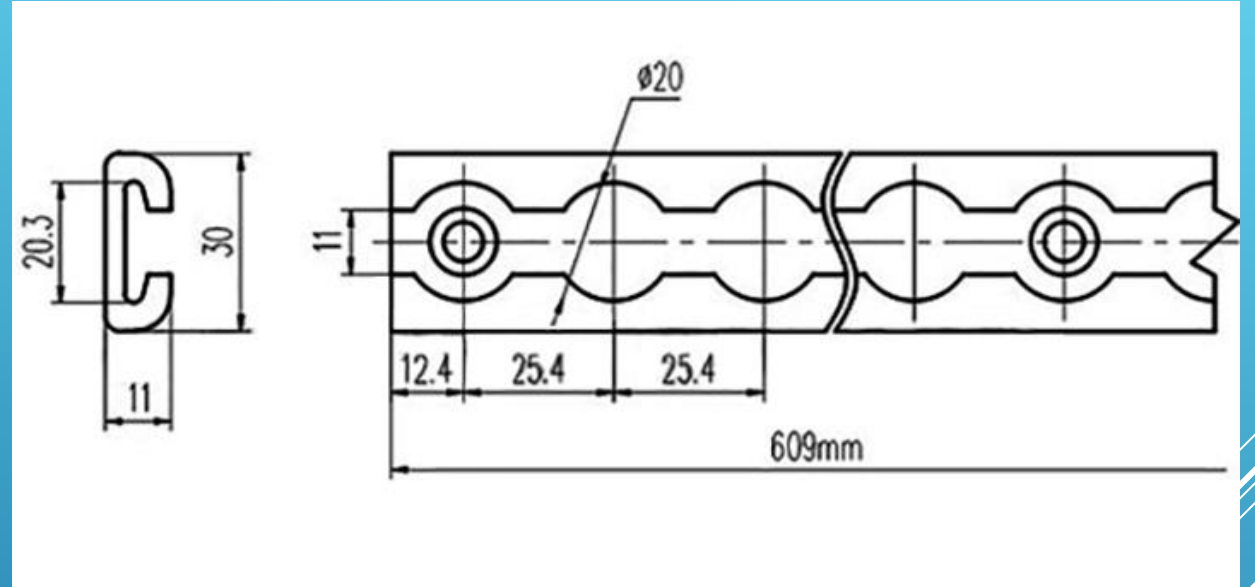
Part NO.	ZSCT16
Material	ALU
Surface treatment	Oxide
Length (mm)	1196
Weight(kg/m)	0.612

ALUMINUM TRACK



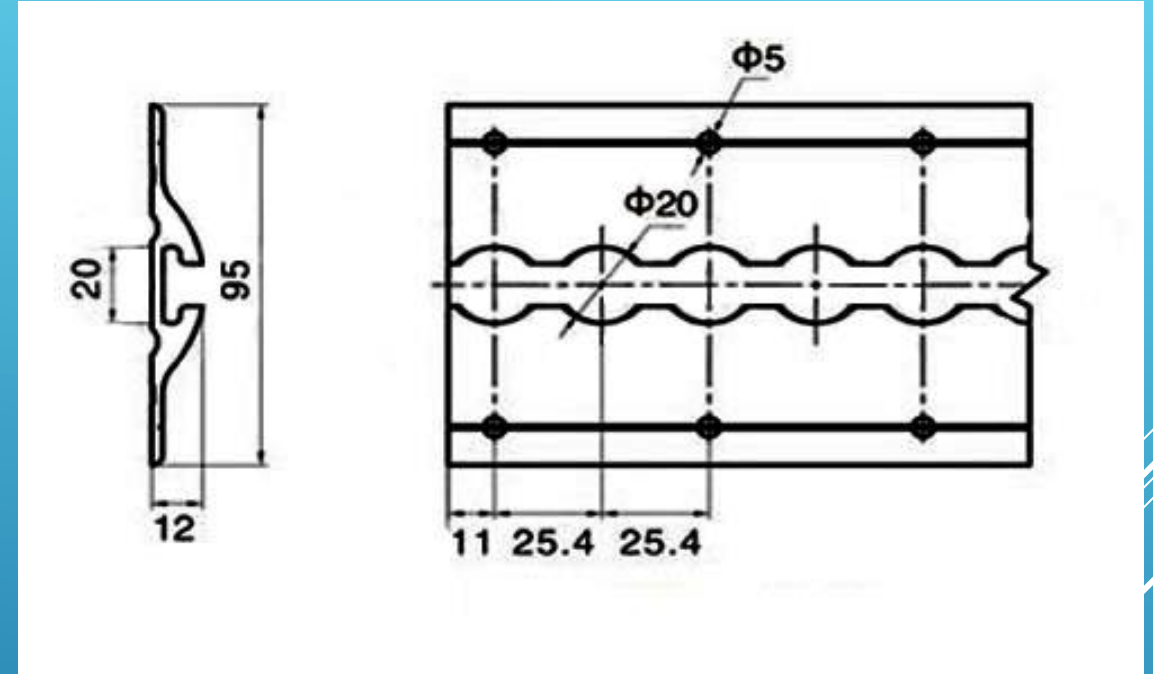
Part NO.	ZSCT17
Material	ALU
Surface treatment	Oxide
Length (mm)	120.5
Weight(kg/m)	0.45

ALUMINUM TRACK



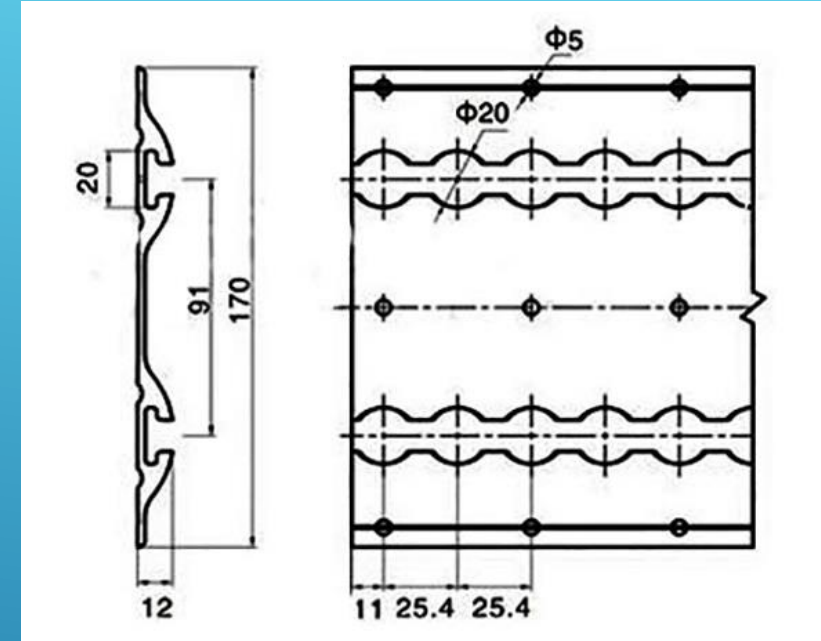
Part NO.	ZSCT18
Material	ALU
Surface treatment	Oxide
Length (mm)	1196
Weight(kg/m)	0.294

ALUMINUM TRACK



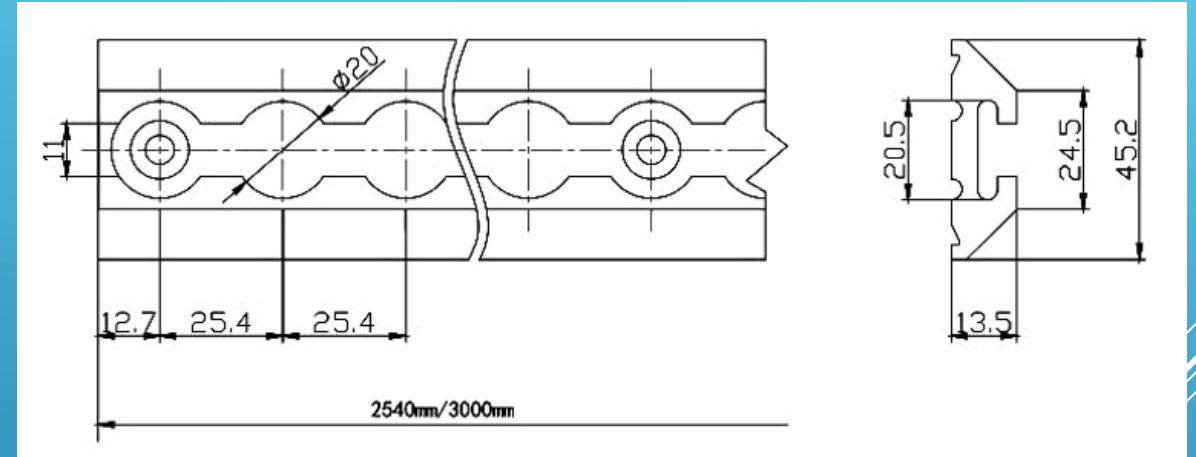
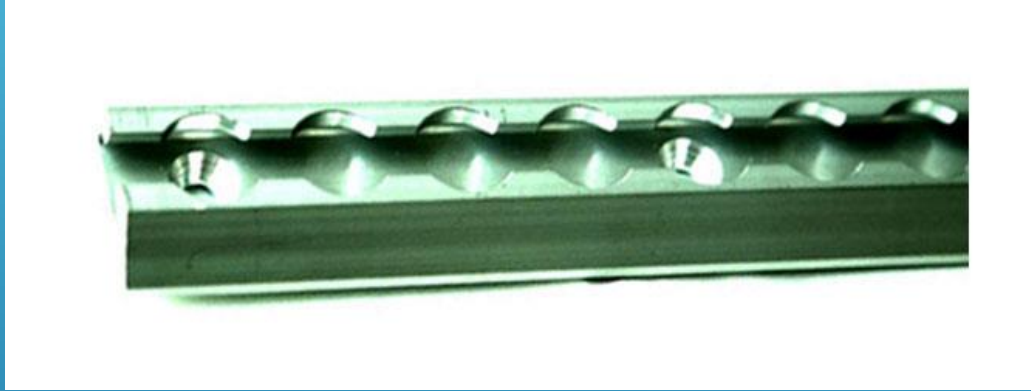
Part NO.	ZSCT19
Material	ALU
Surface treatment	Oxide
Length (mm)	2360/1960
Weight(kg/m)	2.5/2.1

ALUMINUM TRACK



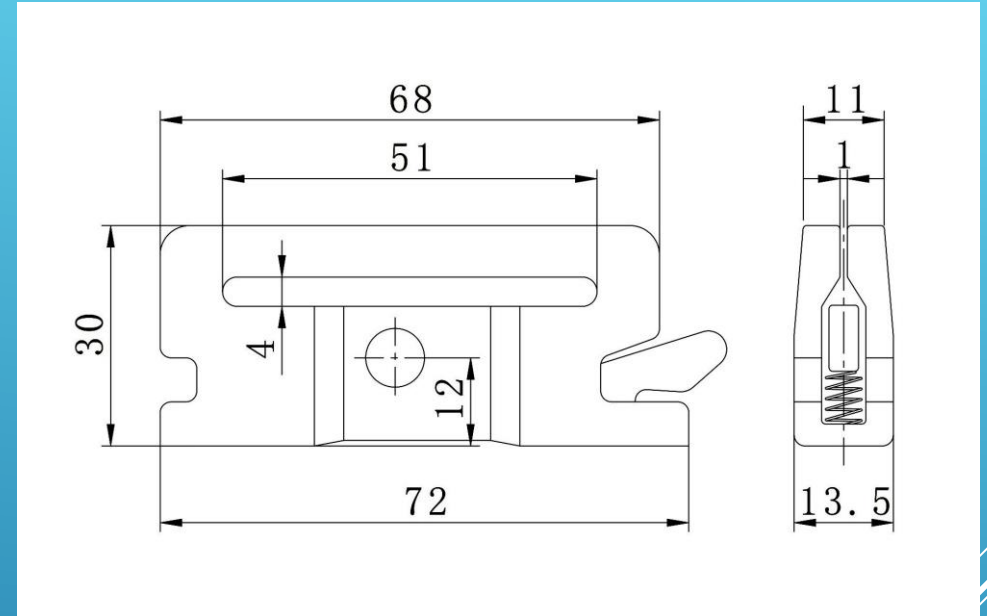
Part NO.	ZSCT20
Material	ALU
Surface treatment	Oxide
Length (mm)	2360/1960
Weight(kg/m)	4.6/3.9

ALUMINUM TRACK



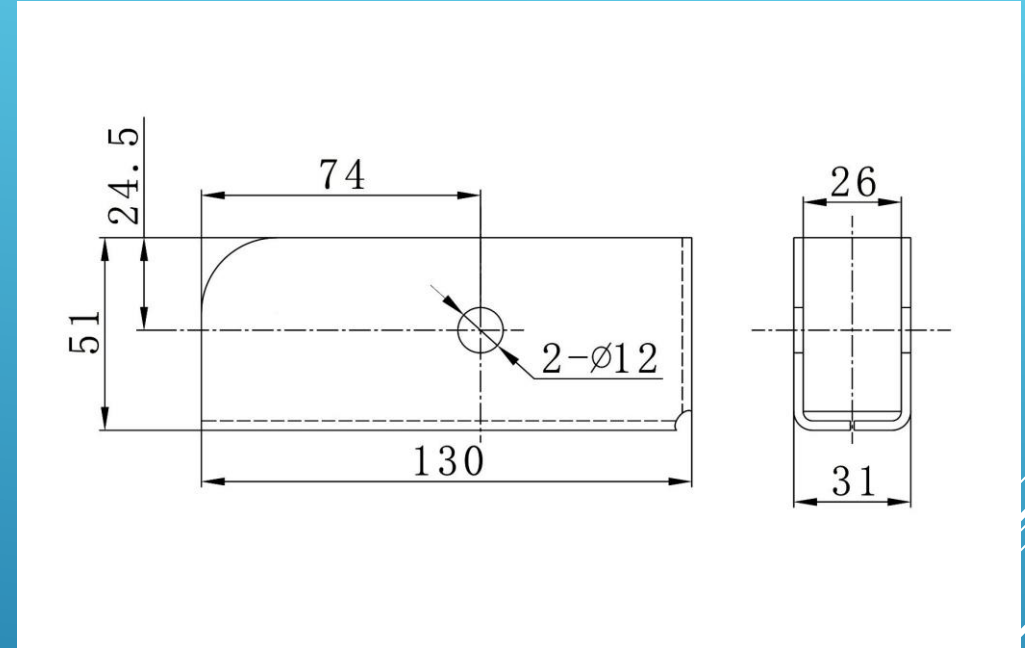
Part NO.	ZSCT21
Material	ALU
Surface treatment	Oxide
Length (mm)	2540/3000
Weight(kg/m)	2.19

INTERNAL TRACK FITTING



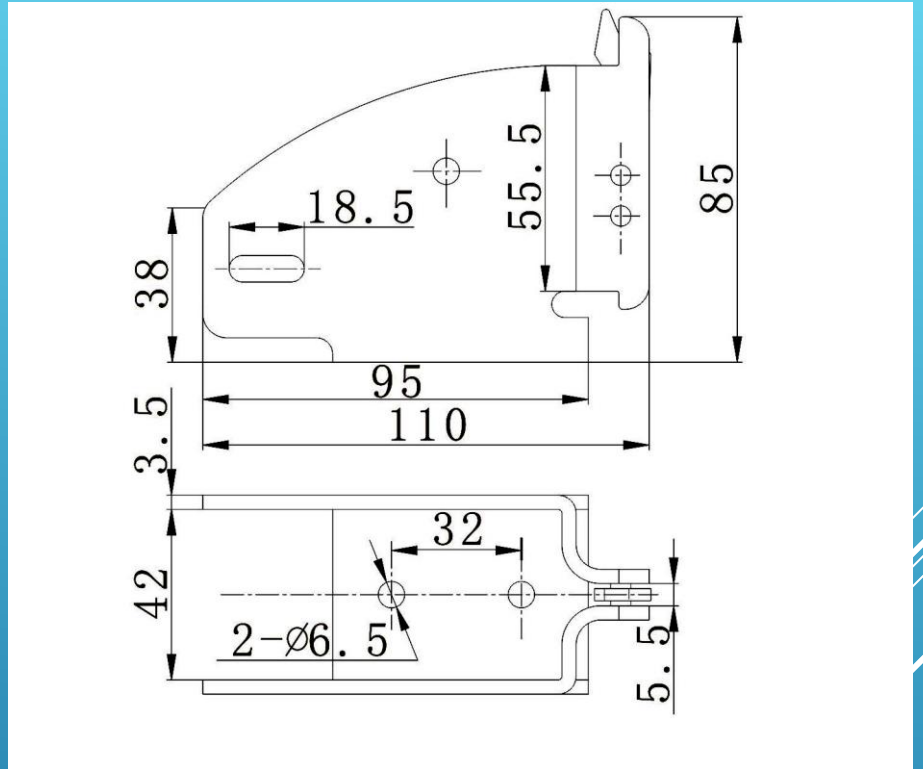
Part NO.	ZSCTF01
Material	Steel
Surface treatment	Yellow zinc Plated
Length (mm)	2540/3000
Weight(kg)	0.093
B/S	2000kg

INTERNAL TRACK FITTING



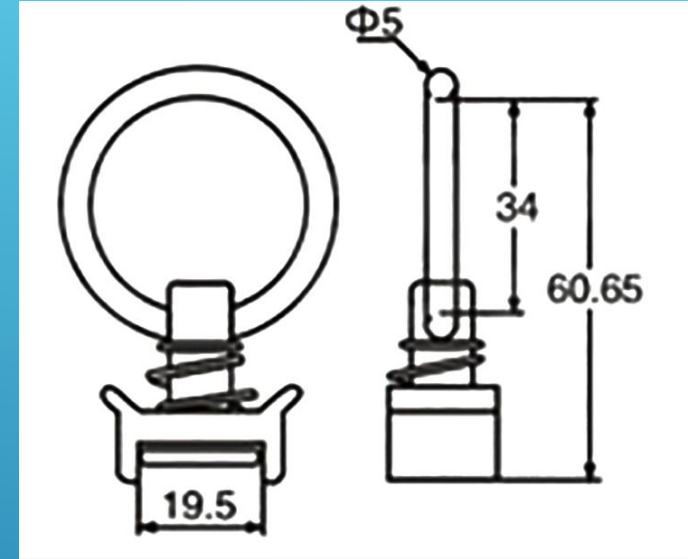
Part NO.	ZSCTF02
Material	Steel
Surface treatment	Zinc Plated
Weight(kg)	0.25

INTERNAL TRACK FITTING



Part NO.	ZSCTF03
Material	Steel
Surface treatment	Zinc Plated
Weight(kg)	0.42

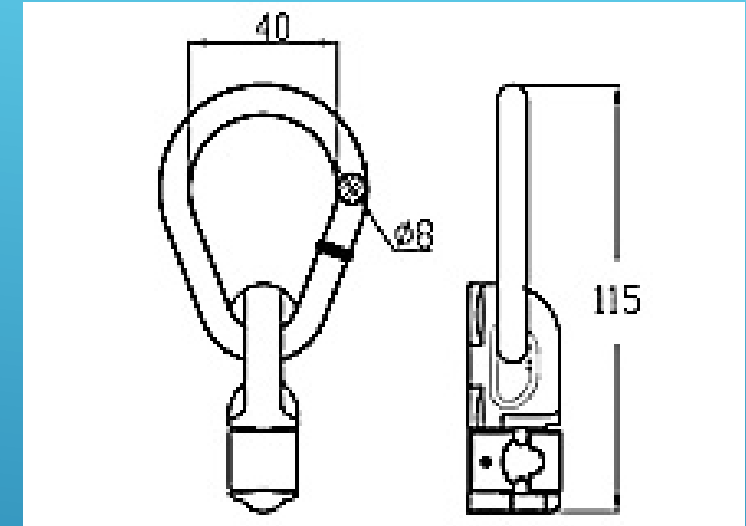
INTERNAL TRACK FITTING



Single stud fitting W/O ring

Part NO.	ZSCTF04
Material	Steel/ALU
Surface treatment	Zinc Plated/Oxide
Weight(kg)	0.0475
B/S	1500KG

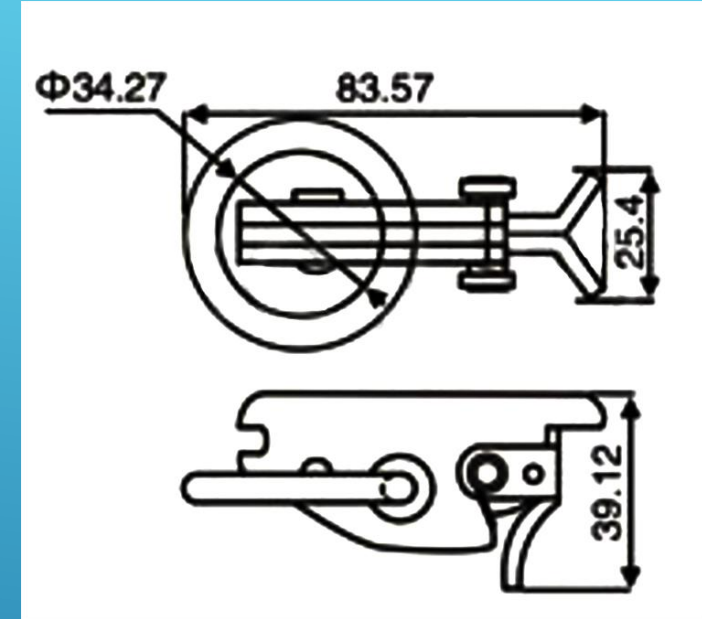
INTERNAL TRACK FITTING



Double stud fitting W/pear ring

Part NO.	ZSCTF05
Material	Steel
Surface treatment	Zinc Plated
Weight(kg)	0.17
B/S	2700KG

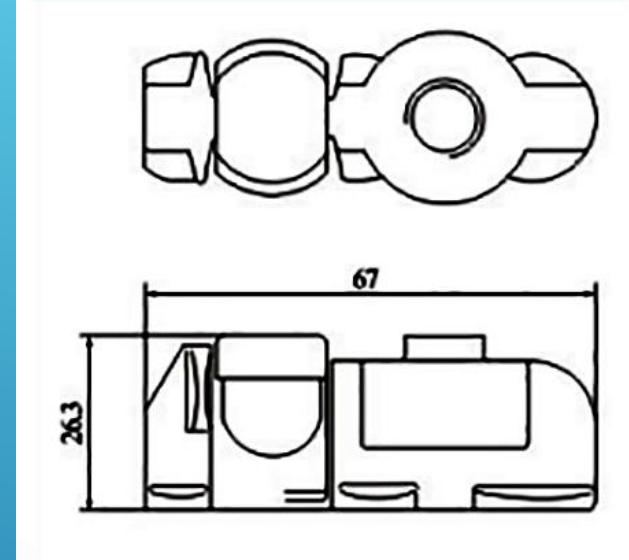
INTERNAL TRACK FITTING



Series E/A fitting W/O ring

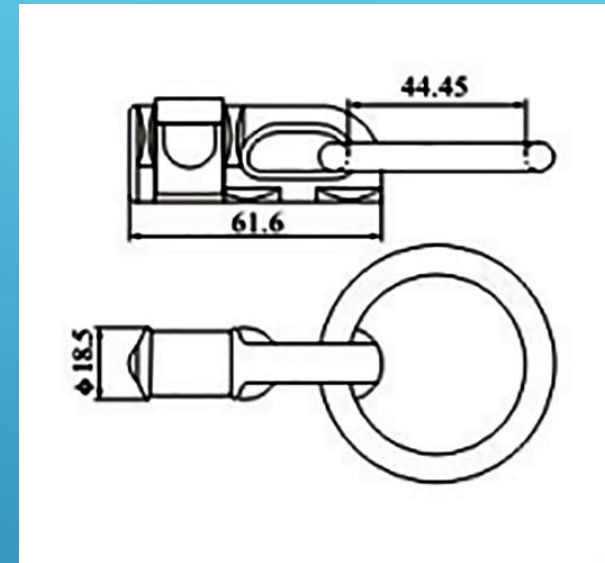
Part NO.	ZSCTF06
Material	Steel
Surface treatment	Zinc Plated
Weight(kg)	0.19
B/S	2700KG

INTERNAL TRACK FITTING



Part NO.	ZSCTF10
Material	Steel
Surface treatment	Zinc Plated
Weight(kg)	0.15
B/S	6000lbs/2720kg

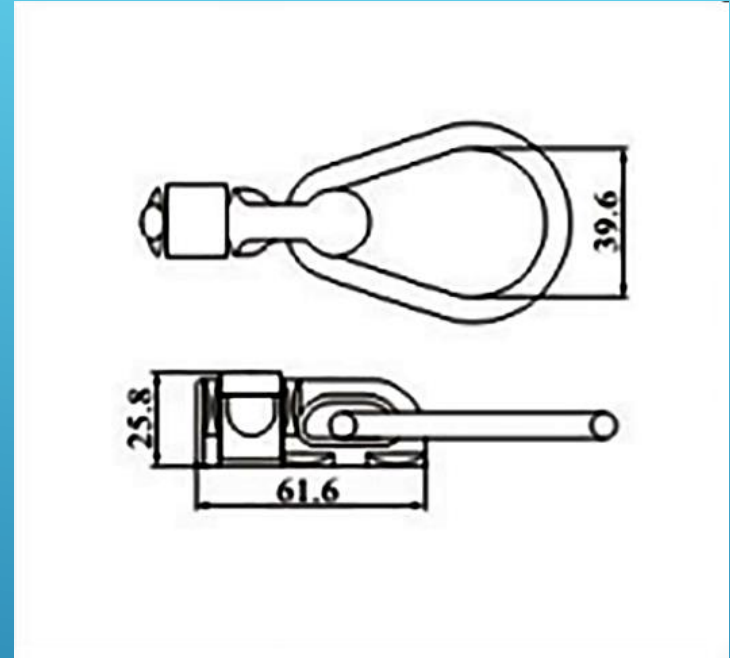
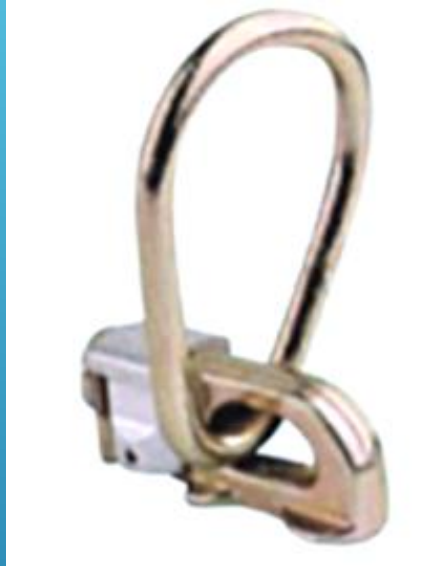
INTERNAL TRACK FITTING



Double stud fitting W/O ring

Part NO.	ZSCTF11
Material	Steel
Surface treatment	Zinc Plated
Weight(kg)	0.135
B/S	2700kg

INTERNAL TRACK FITTING



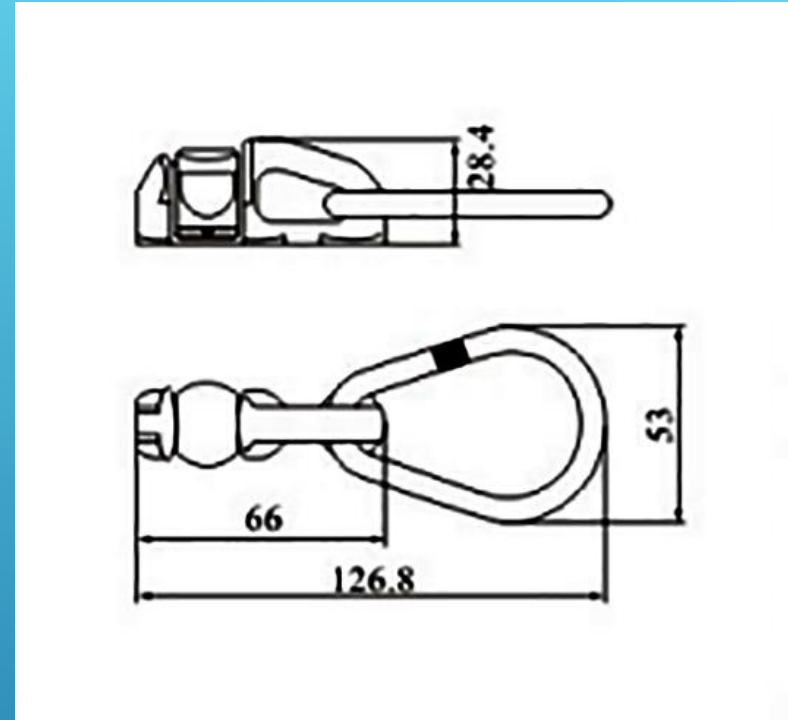
Double stud fitting W/pear ring

Part NO.	ZSCTF12
Material	Steel
Surface treatment	Zinc Plated
Weight(kg)	0.1175
B/S	2700kg

INTERNAL TRACK FITTING



Double stud fitting W/pear ring

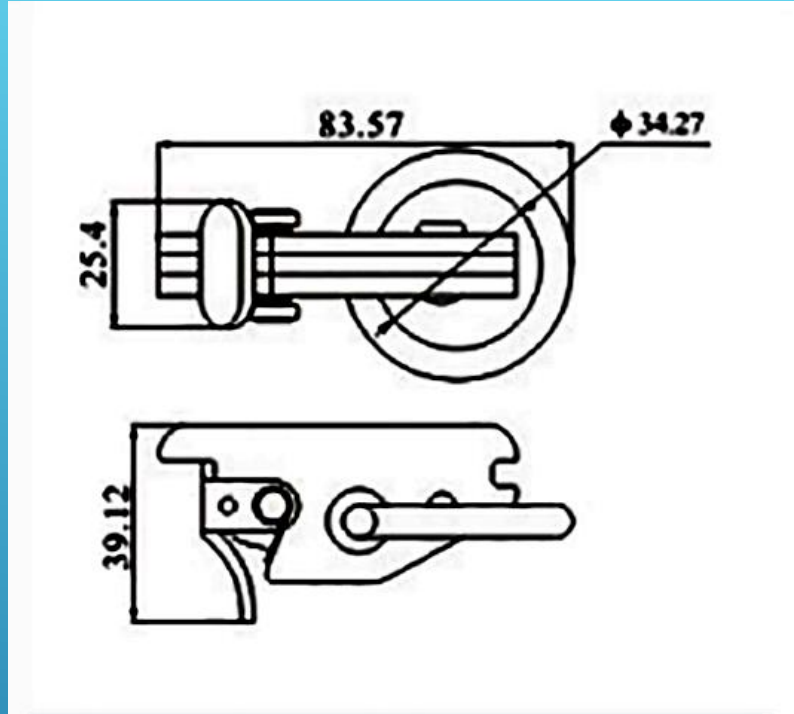


Part NO.	ZSCTF13
Material	Steel
Surface treatment	Zinc Plated
Weight(kg)	0.17
B/S	2700kg

INTERNAL TRACK FITTING



Series E/A fitting W/O ring

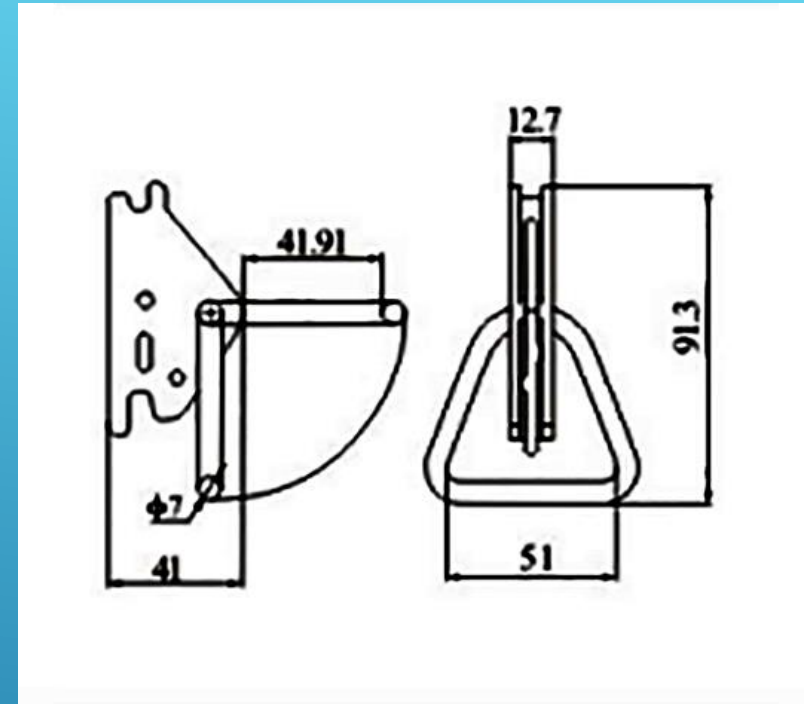


Part NO.	ZSCTF14
Material	Steel
Surface treatment	Zinc Plated
Weight(kg)	0.19
B/S	2700kg

INTERNAL TRACK FITTING



Series E/A fitting W/Triangle ring

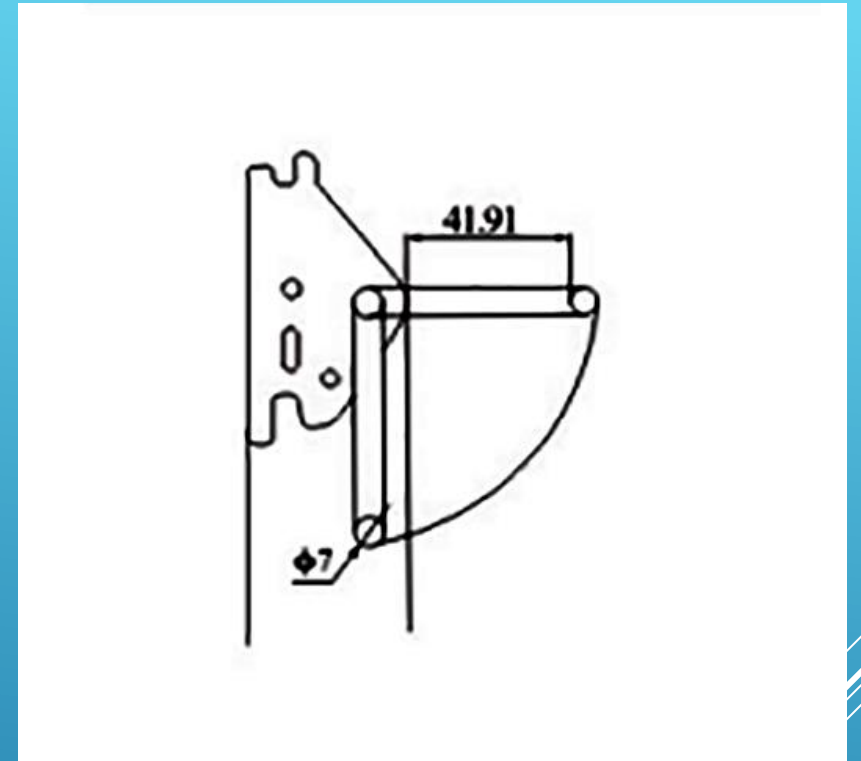


Part NO.	ZSCTF15A
Material	Steel
Surface treatment	Zinc Plated
Weight(kg)	0.15
B/S	1850kg

INTERNAL TRACK FITTING

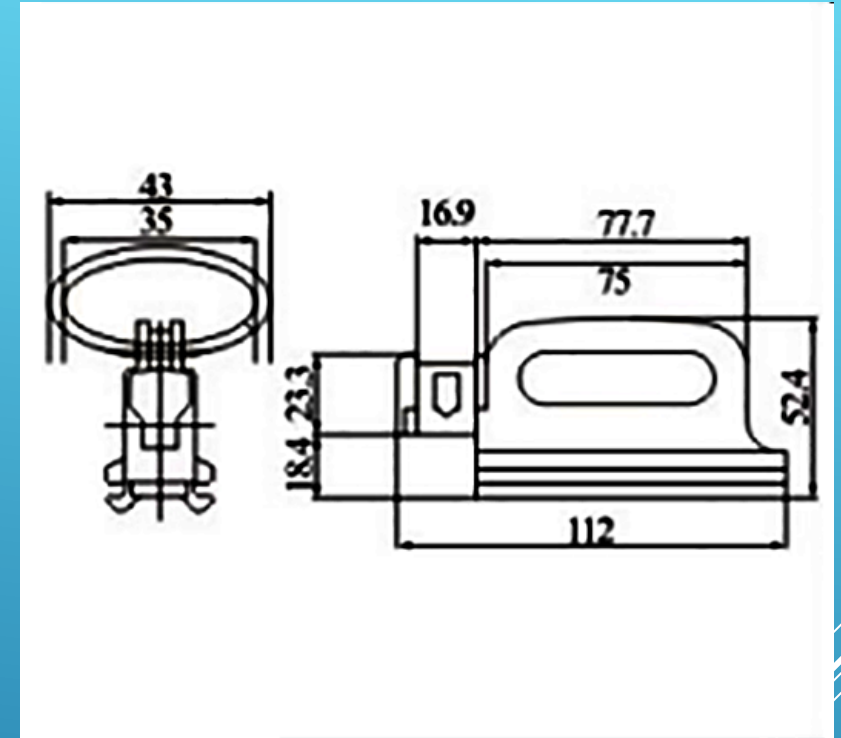


Series E/A fitting W/Triangle ring



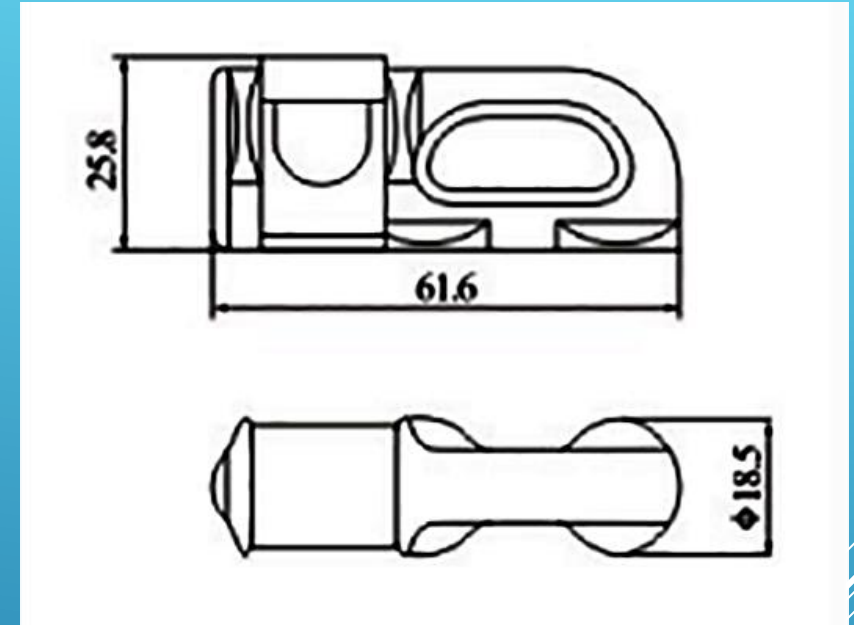
Part NO.	ZSCTF15B
Material	Steel
Surface treatment	Zinc Plated
Weight(kg)	0.15
B/S	1850kg

INTERNAL TRACK FITTING



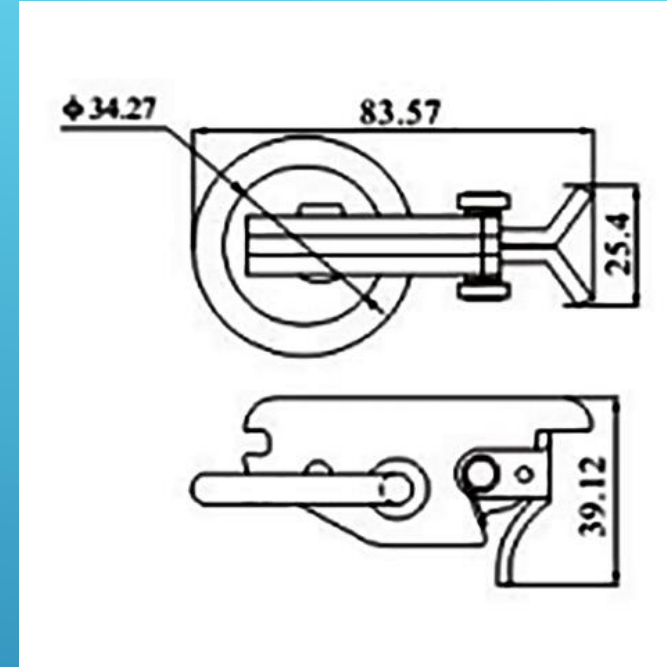
Part NO.	ZSCTF17
Material	Steel
Surface treatment	Zinc Plated
Weight(kg)	0.47
B/S	2700kg

INTERNAL TRACK FITTING



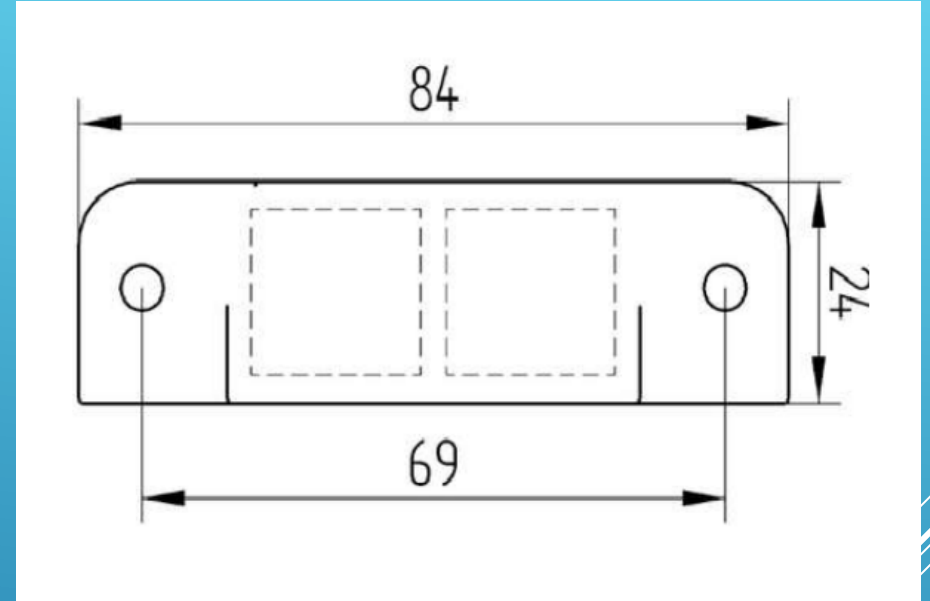
Part NO.	ZSCTF16
Material	Steel
Surface treatment	Zinc Plated
Weight(kg)	0.09
B/S	2700kg

INTERNAL TRACK FITTING



Part NO.	ZSCTF18
Material	Steel
Surface treatment	Zinc Plated
Weight(kg)	0.19
B/S	2700kg

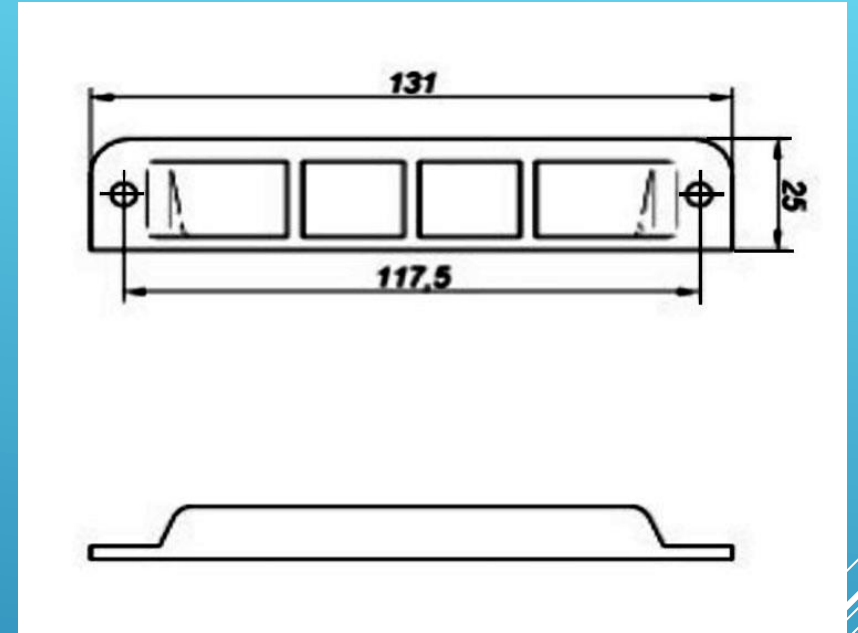
OTHER TRACK SERIES



End faucet for F track

Part NO.	ZSCTF07
Material	plastic
Size(mm)	84×24
Weight(kg)	0.009

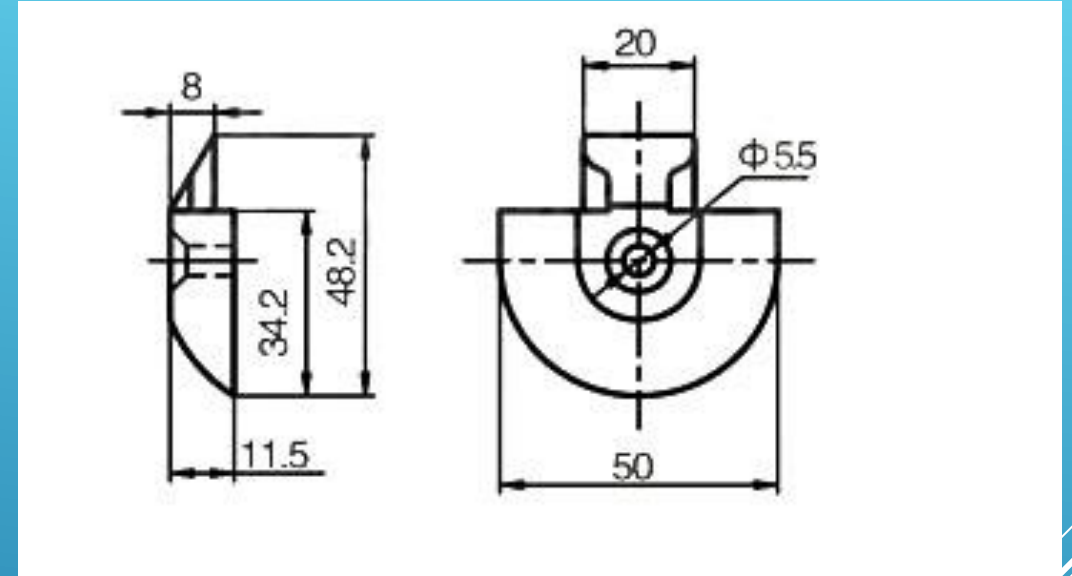
OTHER TRACK SERIES



End faucet for F track

Part NO.	ZSCTF08
Material	Plastic
Size(mm)	131×25
Weight(kg)	0.012

OTHER TRACK SERIES



End faucet for aluminum track

Part NO.	ZSCTF09
Material	Plastic
Size(mm)	50×48.2
Weight(kg)	0.014



Thanks!